

Digital Compression Load Cell – Type DM



Special Features

- ATEX certified (Zone 1, 2, 21, 22)
- Robust capacitive technology
- High tolerance of up to 400% overload
- Stainless steel
- Hermetically sealed to IP68
- Laser welded
- Low profile and hygienic design
- Withstands welding voltages and ESD
- Cable length up to 100meters
- Load cell cable replaceable
- Pre-calibrated with signal in kg or N
- Calibration independent of cable length
- Easy mechanical and electrical installation
- Can be used in both ATEX and non-ATEX installations



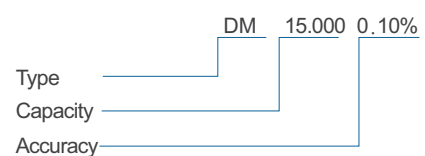
Applications

- Tank weighing
- Process weighing
- Level measurement
- Filling and dosing
- Large Vessels
- Offshore applications
- Heavy duty applications

Options

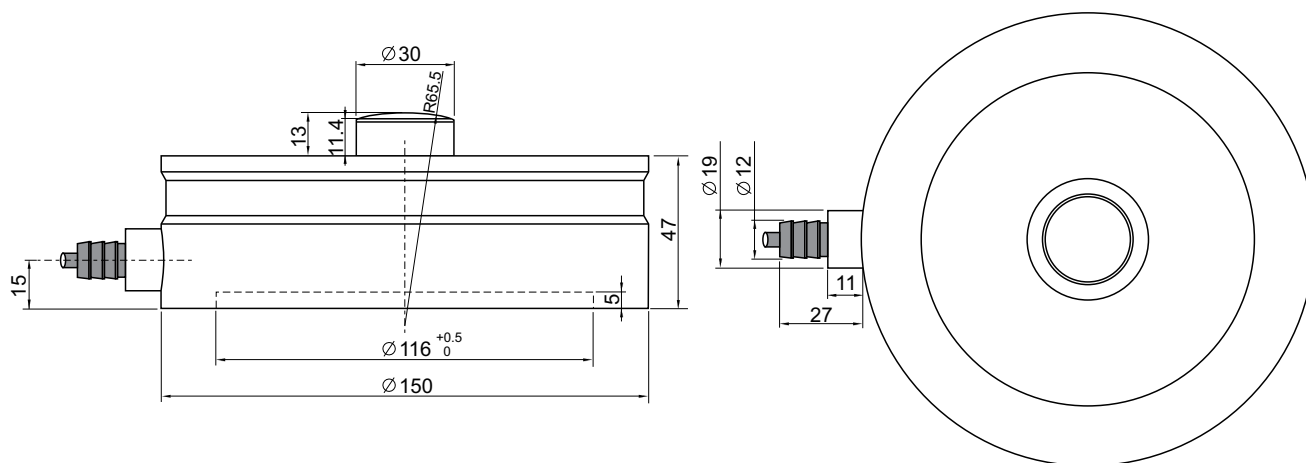
- ATEX (Zone 1, 2, 21, 22) version type DMA
- ATEX II 2G Ex ia IIC T6 / ATEX II 2D Ex iaD 21 T85°C
- Base plate available
- Load cell cable length 10, 20, 50 or 100meters

Order information



Digital Compression Load Cell – Type DM

Dimensions (mm)



Parameter	Unit	0.10%	0.05%
Rated capacity (E _{max})	kg	6.000, 8.000, 10.000, 15.000, 25.000, 50.000	
Safe overload limit	% of E _{max}	200 to 400	
Safe sideload limit	% of E _{max}	400	
Minimum dead load	% of E _{max}	0	
Accuracy	% of E _{max}	0.080	0.040
Repeatability	% of E _{max}	0.020	0.010
Hysteresis	% of E _{max}	0.060	0.030
Creep 30min.	% of E _{max}	0.060	0.030
Temperature effect on zero	% /10 °C	0.025	0.010
Temperature effect on sensitivity	% /10 °C	0.025	0.015
Compensated temperature range	°C	-10 to 50	
Operating temperature range	°C	-50 to 70 (100*)	
Deflection at E _{max}	mm	Max 0.10	
Measuring rate	Hz	Up to 1.000	
Supply	Vdc	24Vdc ±10%	
Internal resolution	Bit	24	
Material		Stainless Steel 17-4 PH and AISI 316	
Protection		IP68	
Cable		6meter standard coaxial RG-58 (Ø6mm) with BNC connector	
Maximum cable length	m	100	
Weight	kg	8	
Output options		Profibus DP, DeviceNet, Modbus ASCII/RTU, EtherCAT EtherNet/IP, RS485, 4-20mA, 0-10Vdc	

* with Teflon cable